



# Rear Tipper

Innovative and efficient in every detail

| [meiller.com](https://meiller.com)

# Rear tippers

Innovative and efficient in every detail

The MEILLER rear tipper programme combines innovative solutions with a modern design. It is designed for daily and rugged operation. Transport and high payloads fast and safely thanks to the low tare weight of the vehicle superstructure. Handling and use are easy and practical – for economic and safe operation. MEILLER rear tippers are designed for ultimate productivity – from the very first day and over their entire operating life. MEILLER stands for ultimate product quality and value retention.

*Made for heavy duty use in the construction and waste management sectors: from small to large earth movements, over bulk material transportation right up to heavy rubble.*

## Ultimate quality through intelligent detailed solutions

MEILLER rear tippers feature a large transport volume with optimised external dimensions: they enable the largest possible payload at a low tare weight through solutions optimised to the payload in every detail.

MEILLER rear tippers are sturdy with a long service life due to the use of high-strength materials and the latest production processes. The frame construction is extremely stable and well protected against corrosion.

The large tipping angle of the rear tipper helps the bulk material to flow off. MEILLER achieves high tipping stability through the combination of a stabiliser and new tipper body guide as well as through a reduced design height. High tipping and lowering speeds accelerate working cycles.

MEILLER steel tipper bodies are designed for the toughest applications. They are low wear and crack-resistant. They have a low centre of gravity, which ensures good road holding and excellent driving performance.



## Wide product range for all purposes

With its P and H series MEILLER offers a wide product range that satisfies individual requirements. You will always find the rear tipper ideal for your needs with the Light, Medium and Heavy variants.

### P series

The P series with half-round tipper body shape is optimised to the payload through many innovative solutions. In the half-round shape the bulk material flows off optimally. Centring of the bulk material provides a good driving performance.



P Halfpipe series

### H series

The HE series with an angular tipper body shape is designed for heavy duty use. Sloping reinforcements give high stability and therefore a long life cycle – even in rugged operating conditions.



H Classic series

## MEILLER, the competent system supplier

MEILLER rear tippers are ideal for the entire range of chassis produced by all vehicle manufacturers.

We work closely together with truck manufacturers and optimally match MEILLER superstructures to the chassis. The MEILLER tipper body is designed to be vehicle-neutral. So we adapt your own product quickly and problem-free to every manufacturer.

Close collaboration with vehicle manufacturers results in short response times to new market demands.

## Your benefits

- **Maximum transport volume through low tare weight**
- **Sturdy version through high overload reserves**
- **High tipping and lowering speeds through innovative hydraulics**
- **Reduced design height for low centre of gravity**
- **Maintenance-friendly and value preservation through high product quality**

## TECHNICAL DATA

Rated volume	from 12 m <sup>3</sup> to 28 m <sup>3</sup>
Rated load	from 30 t to 50 t rated load
For truck chassis	with 3, 4 or 5 axles



# Rear tipper programme

## P HALFPIPE

		LIGHT	MEDIUM	HEAVY
<b>3 axles</b> 	<b>Type</b>		<b>P330</b>	<b>P336</b>
	Rated volume		up to 15 m <sup>3</sup>	up to 21 m <sup>3</sup>
	Vehicle total weight		26 - 33 t	33 - 40 t
	Tailgate		G1, G4, G6	G10, G11
<b>4 axles</b> 	<b>Type</b>	<b>P430</b>	<b>P436</b>	<b>P450</b>
	Rated volume	up to 17 m <sup>3</sup>	up to 20 m <sup>3</sup>	up to 28 m <sup>3</sup>
	Vehicle total weight	32 - 41 t	41 t	41 - 50 t
	Tailgate	S2, S6	S1, S2, S4, S6	G10, G11
<b>5 axles</b> 	<b>Type</b>	<b>P530</b>	<b>P536</b>	
	Rated volume	up to 17 m <sup>3</sup>	up to 20 m <sup>3</sup>	
	Vehicle total weight	32 - 41 t	41 t	
	Tailgate	S6	S6	
<b>Side wall heights</b>		1200-1500 mm	1200-2000 mm	1600-2000 mm
<b>USE</b>				
<b>Bulk material hardness</b>	Normal bulk material	x	x	x
	Hard quartz sands	(x)*	x	x
	Hard sharp-edged bulk material	(x)*	(x)*	x
<b>Rock size</b>	small < 10 cm	x	x	x
	medium 25 - 50 cm	-	x	x
	large > 50 cm	-	(x)*	x

\* possible with job-specific wall thickness combination



# H436



**Rear tipper**  
 P = half pipe construction  
 H = Classic

**Number of axles**  
 3, 4, 5 axles

**Max. load capacity**  
 30, 36, 50 t

The MEILLER rear tipper programme is consistently designed for payload optimisation. Profit from many intelligent detailed solutions that have a low centre of gravity, low design height and low tare weight. Transport more material per load: this makes use of your rear tipper economic and efficient.

## Light, Medium or Heavy

### Light

The Light tippers are weight-optimised due to a slim subframe and give high cost efficiency through an optimum payload ratio.



### Medium

The Medium tippers with a reinforced subframe are the solid vehicles for universal use with rugged durability.

### Heavy

The extremely rugged Heavy tippers with many reinforced components are designed for tough applications such as mining. Offroad you can load up to 28 m<sup>3</sup> and 50 t heavy materials. The special tailgates withstand high load pressures. Reinforced container guide plates protect the vehicle units.

## H CLASSIC

		MEDIUM	HEAVY
<b>3 axles</b> 	<b>Type</b>	<b>H330</b>	<b>H336</b>
	Rated volume	up to 18 m <sup>3</sup>	up to 24 m <sup>3</sup>
	Vehicle total weight	26 - 33 t	33 - 40 t
	Tailgate	G1, G4, S3	S3
<b>4 axles</b> 	<b>Type</b>	<b>H436</b>	<b>H450</b>
	Rated volume	up to 20 m <sup>3</sup>	up to 28 m <sup>3</sup>
	Vehicle total weight	41 t	41 - 50 t
	Tailgate	S1, S3, S4	S3
<b>Side wall heights</b>		1200-2000 mm	1600-2000 mm

## USE

<b>Bulk material hardness</b>	Normal bulk material	x	x
	Hard quartz sands	x	x
	Hard sharp-edged bulk material	(x)*	x
<b>Rock size</b>	small < 10 cm	x	x
	medium 25 - 50 cm	x	x
	large > 50 cm	(x)*	x

\* possible with job-specific wall thickness combination

# Tipper bodies for daily practical use

The right superstructure for all purposes

MEILLER tipper bodies are designed for a long service life: they are crack-resistant and low wear for the harshest operations. The weight-reduced construction is dirt-tolerant and stable.

MEILLER tipper bodies are low wear for heavy duty use. The bulbous shape gives protection against abrasive as well as impact wear. The reduced loading height makes filling easier and lowers the centre of gravity. This improves driving and tipping characteristics.

*Sophisticated tailgate solutions for all purposes.*



## Tailgates – practical

Choose your ideal solution from the different tailgate variants. You get ultimate flexibility from the switchable S4 or G4 tailgate with jaw locking mechanism. Depending on the bulk material, open very conveniently at the press of a button hydraulically or let the tailgate open swinging from the top.



### Tailgate opened swinging from the top

The swinging hinged tailgate is low wear and opens as early as a tipping angle of 3°.



### Tailgate opened hydraulically

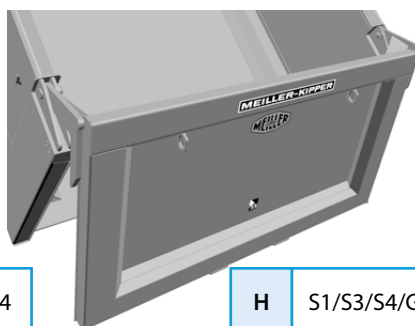
The hydraulic tailgate opens fully before tipping starts, remains open during tipping, and closes tight without a lock.



### TOP-HINGED OPENING

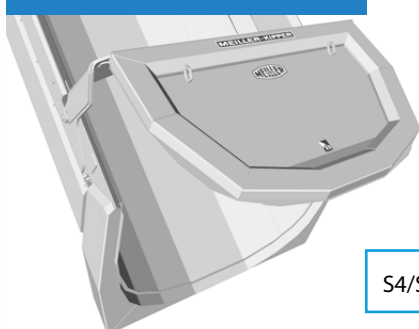


**P** S1/S2/S4/G1/G4

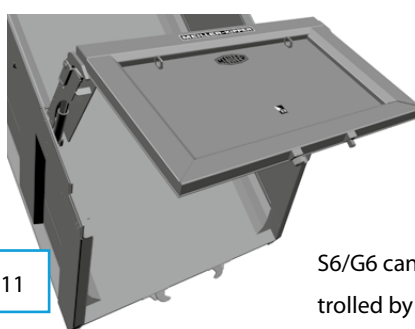


**H** S1/S3/S4/G1/G4

### HYDRAULIC OPENING



S4/S6/G4/G6/G10/G11



S6/G6 can also be controlled by remote control

### Tailgate variants

TAILGATE	opens				Lock	
	Top-hinged	Hydraulic	Optionally both	Mech. split hinged tailgate		
<b>Inclined</b>	Outboard	S1	-	S4	S3	Jaw
	Inboard	S2	S6 (without lock)	-	-	Claw
<b>Straight</b>	Outboard	G1	G10/G11 with fixed hook	G4	-	Jaw
	Inside	-	G6 (without lock)	-	-	

### Your benefits

- **The right solution for everyone: optimally designed product range**
- **Payload-optimised components**
- **Suitable for paver operation**
- **Sturdy tailgate locks**

### Accessories for tailgates

Extend your operations:

- Raised tailgate bearing for large throughput
- Dosing device
- Slider with toggle catches
- Rubber seal



Raised tailgate bearing enables a large throughput e.g. for heavy rubble.

# Features for practical use

Practical solutions for everyday, rugged operation

## Durable ...

MEILLER protects you against risks, because our products are designed for a long service life. We use crack-resistant steels and give the largest possible stability exactly where it is needed.

- Low maintenance requirements saves costs for spare parts and repairs.
- MEILLER product quality ensures good value retention and makes resales lucrative.
- Reliable MEILLER after-sales service and high spare-parts availability minimise down times.

## ... safe ...

MEILLER rear tippers guarantee safe operation thanks to many sophisticated solutions:

- High lifting force reserves
- Protective roof systems
- Underride protection
- Side underride guard
- Side container guide plates
- Hand pump for emerg. oper.

## Tipping stability in every position

A 30% higher torsional strength is provided by the new scissor tipping stabiliser with optimised trapeze cross-section.

Together with the newly designed tipper body guide this gives considerably higher tipping stability.



*MEILLER scissor tipping stabiliser gives safety when tipping.*

*Made for rugged use in the construction sector: the MEILLER rear tipper.*







### ... easy to operate.

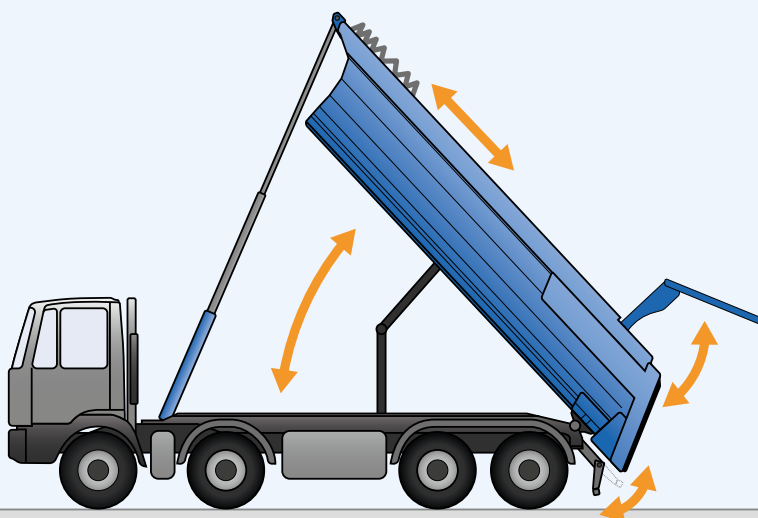
Control your MEILLER rear tipper easily and safely. All operating functions are logical, easy to understand and simple to execute. With the MEILLER i.s.a.r.-control radio control unit you have full control: tip from a safe distance and at a location that gives you the best visibility. With the pre-programmed sequence control processes operation is even easier.

*Always operate your sequences fast and safely with the practical i.s.a.r.-control radio control unit.*



### Two different programme sequences are available:

1. **Tip out:** fold up underride protection, open tarpaulin, open tailgate, tip.
2. **Lower and make ready to travel:** lower, close tailgate, close tarpaulin, lower underride protection.



# Attachment parts and accessories

Extend as you want — the ideal vehicle for everyone

Optimise your MEILLER rear tipper for your own special purposes. The accessories are aimed at shaping your daily work routine to be safer and practical. The programme ranges from steps over storage options right up to camera systems.



*The right tarpaulin for every application: side roll-up tarpaulin ...*

## Make your daily work routine easier with further practical accessories:

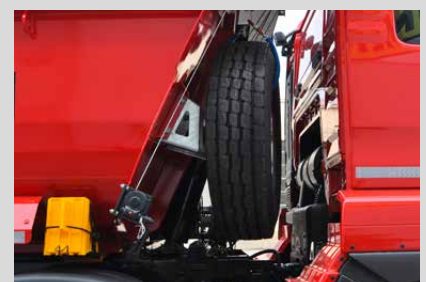
- Toolboxes: plastic or stainless steel
- Mud guard: plastic, aluminium or steel
- Spare wheel carrier with or without lifting winch
- Tipper body heater
- Lights: floodlit lamps, side MEILLER marker lamps
- Useful items such as fire extinguishers, brush and shovel holders, wheel chocks and brackets



*MEILLER continuous aluminium mud guard.*



*Lots of space for work aids and tools.*



*Spare wheel carrier on the front panel.*



... or electrical sliding tarpaulin, very easy to operate with the radio control unit.

## MEILLER tarpaulin systems

Cover your transported material: save fuel and protect your load. With the electrical version with convenient operation by the MEILLER i.s.a.r.-control radio control unit. MEILLER tarpaulin systems are matched optimally to MEILLER tipper bodies. Profit from an integrated solution from one source.

Choose from a wide range of colours. Retrofitting is easy.

- Manual or electrical sliding tarpaulin, with or without tarpaulin protective roof
- Side roll-up tarpaulin
- Roll-up tarpaulin lengthwise manual or semi-automatic, with or without tarpaulin box



## Climb onto the vehicle quickly and safely

- Access steps: inside in the tipper body
- Access ladder with ergonomic quick-release lock (UVV-compliant)

Quickly folded out: climb up the side with the access ladder.





# Thermal insulation for road construction

Fully integrated solution with ultimate ease of operation

Maintain constantly high temperatures when delivering asphalt to road finishers. The MEILLER thermal insulation prevents the mixed material from cooling down. You have full control: the temperature measuring system shows real-time current values, with a GPS telematics system as an option.

## MEILLER manufacturer certificate according to DIN 70001

You can also count on compliance with legal regulations for raising the asphalt paving quality. MEILLER carries out the verification calculation in cooperation with the Research Institute for Thermal Insulation (FIW).



*Satisfies the requirements of the Federal Construction Ministry; thermally insulated MEILLER rear tipper for road construction.*

## Your benefits

- **Safe thermal insulation of your transported material – no thermal bridges**
- **No damage by bulk material thanks to the sturdy, temperature-insensitive version**
- **Temperature measuring system with large feature set**





## MEILLER thermal insulation – insulates reliably

MEILLER uses sturdy water repellent insulation material (80 mm) together with double-shell stainless steel linings. They are fitted to side walls, front panels, floor and tailgates. MEILLER thermal insulations breath: they ensure condensed water dries off if it has built up. For top insulation a MEILLER thermal tarpaulin covers the superstructure – the electrical version is operated by the radio control unit. Installation of spare wheel carrier and step on the front panel are possible without limitations.



*MEILLER maintains constantly high asphalt mixed material temperatures during transportation.*

## Simple maintenance

Easily replace the insulation by panels when there is damage. This lowers repair costs and is quickly carried out. The sensor system is easy to reach over a dedicated access.



*Measurements are made every minute: a transport log monitors the quality of every load.*

## Precision measuring system

The reliable measurement equipment monitors the temperature at four measurement points. You have the choice of display and data transmission:

- Type A: temperature display, including serial interface
- Type B: temperature display with mobile Bluetooth printer, including serial interface
- Type C: temperature display, location and additional data, including telematics system for data transmission

# The MEILLER company

Innovation from tradition for over 160 years

First-class quality and reliability characterise our products as well as creating the basis for the high satisfaction experienced by our customers. We systematically optimise the product development process chain to constantly increase our insistence on quality.

## Company

MEILLER is a synonym for innovative products and system solutions construction and waste management sectors. Our claim: to realise market-oriented innovations through the best technical solutions – with motivated employees, cutting-edge production processes and the contribution made by our employees.



*Every MEILLER employee stands for the high quality of all MEILLER products.*

## Product quality

MEILLER places special value on exemplary product quality and excellent value retention. This is why all components are designed for harsh operating conditions and a long service life. They excel through their good processing, reliability and low wear and tear.



## Fast service

Benefit from the expertise and competence of our experienced team. Our mobile after-sales service as well as our worldwide customer service points respond to you immediately whenever you require service.

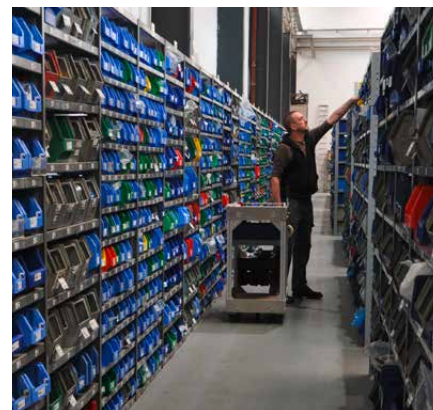
Be assured, you're in good hands.



## Spare parts

Minimise down times through high availability and reliable delivery of spare parts. Our sophisticated logistics will supply you with original parts quickly to wherever they are needed.

Place your trust in the traditional quality of original MEILLER spare parts matched optimally to your MEILLER product.



*Urgently needed original MEILLER spare parts come quickly to wherever they are needed.*



*To this day, many technical milestones and innovations from MEILLER continue to shape the sectors of construction, waste management and the commercial vehicle industry all over the world.*



**F.X. MEILLER**

Fahrzeug- und Maschinenfabrik GmbH & Co KG

Ambossstraße 4  
80997 München, Germany  
+49 89 1487-0  
info@meiller.com

| [meiller.com](https://meiller.com)