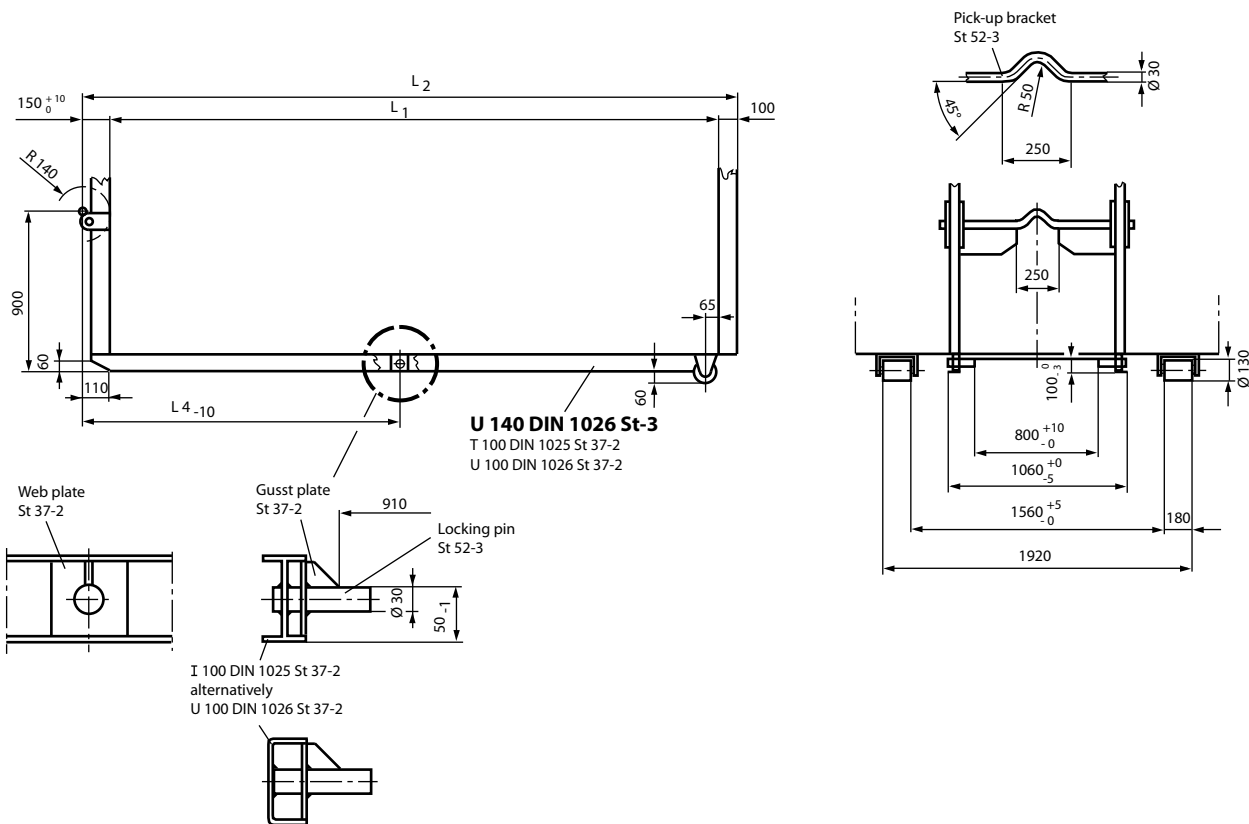


Pick-up bracket

„A“	Chassis
Ø 50	up to 26 t
Ø 60	up to 32 t

	3750	4000	4250	4500	4750	5000	5250	5500	5750	6000	6250	6500	6750	7000
Interior container length L_1 [mm]	3750	4000	4250	4500	4750	5000	5250	5500	5750	6000	6250	6500	6750	7000
Container locking device L_4 [mm]	2515	2640	2765	2890	3015	3140	3265	3390	3515	3640	3765	3890	4015	4140
Container overall length L_2 [mm]	4150	4400	4650	4900	5150	5400	5650	5900	6150	6400	6650	6900	7150	7400
Dimensions for stiffener L_3 [mm]	1350	1550	1700	1800	2150	2250	2350	2500	2700	2850	2950	2950	3650	3800



Interior container length L_1 [mm]	3500	3750	4000	4250	4500	4750	5000
Container locking device L_4 [mm]	1885	1948	2010	2073	2135	2260	2385
Container overall length L_2 [mm]	3750	4000	4250	4500	4750	5000	5250